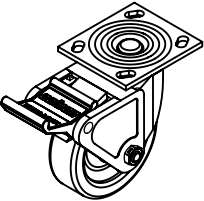
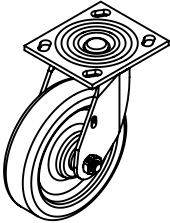
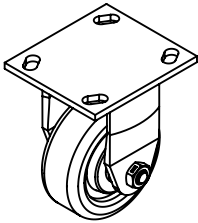
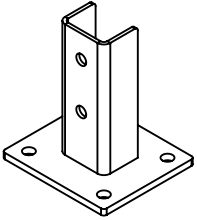
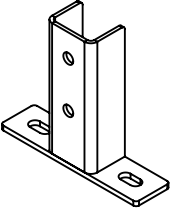
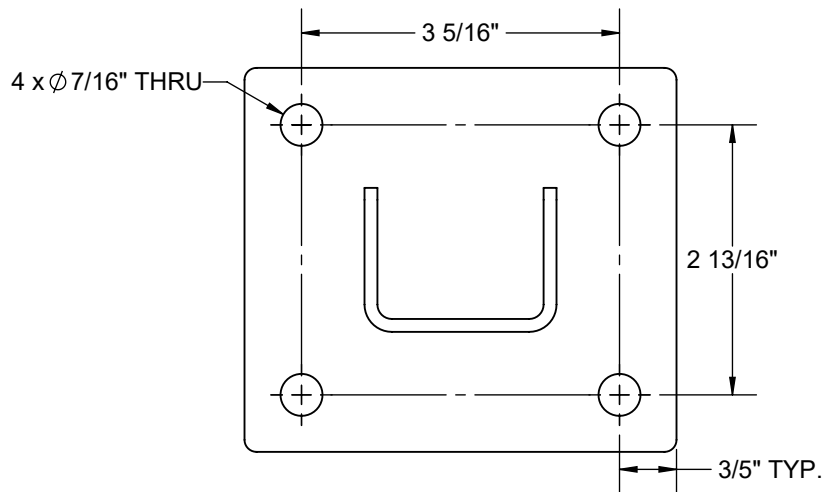
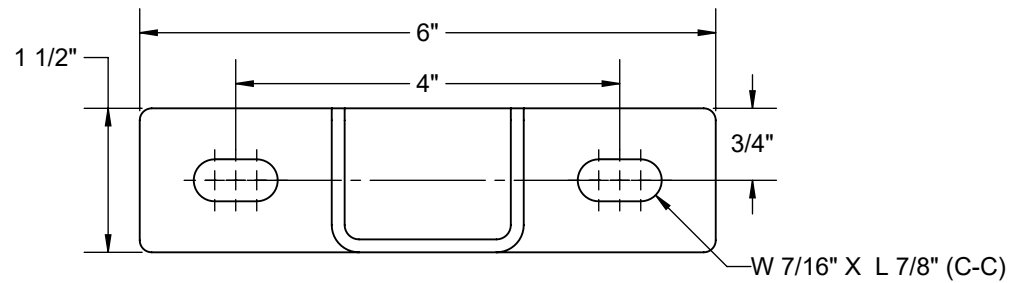


CASTERS	SPECIFICATIONS WHEEL DIA.: 4" OR 5" CAPACITY: 4"- 500 LBS. / 5"-600 LBS.	SWIVEL CASTER W/ LOCK 	SWIVEL CASTER W/O LOCK 	FIXED CASTER 
		BOOTS 		
		HOLES LOCATION: REFER TO DETAIL A		HOLES LOCATION: REFER TO DETAIL B



DETAIL A



DETAIL B

REV

0

SR, Regular Duty Support - Casters & Boots Options

