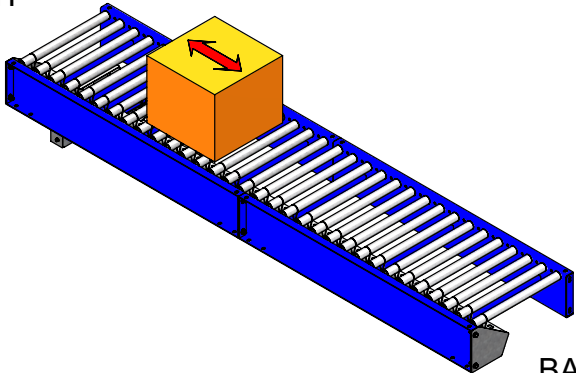


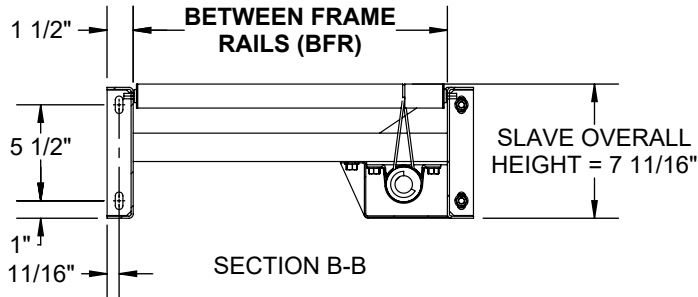
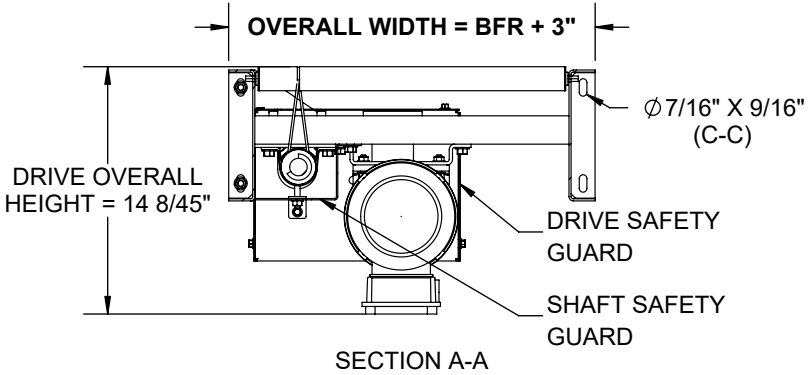
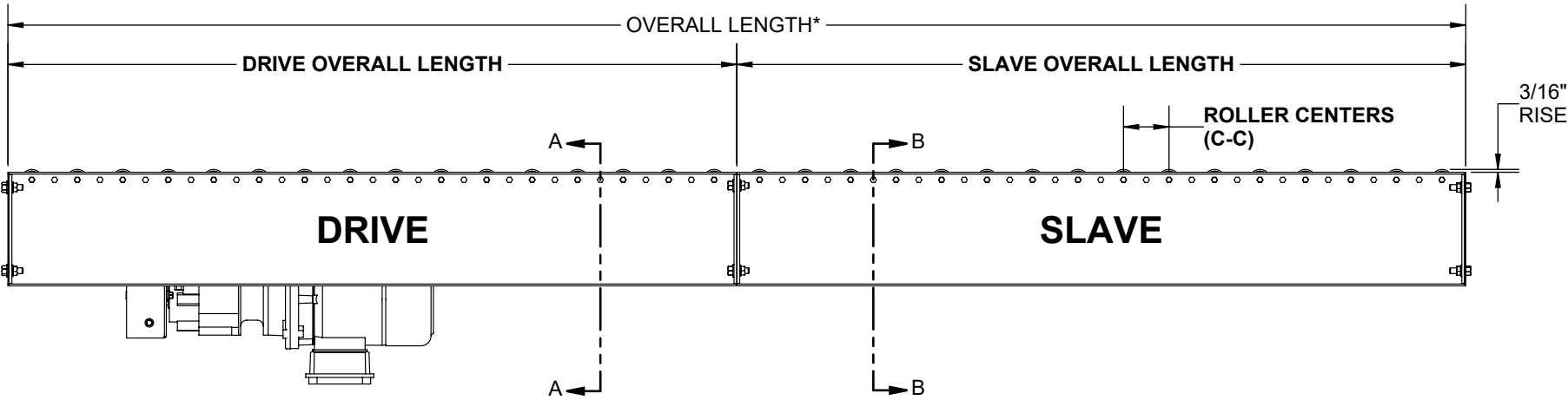
SPECIFICATIONS	
OVERALL LENGTH (DRIVE)	24" TO 120"
OVERALL LENGTH (SLAVE)	18" TO 120"
OVERALL WIDTH	15" TO 30"
ROLLER CENTERS (C-C)	1 1/2", 3", 4 1/2", 6"
BETWEEN FRAME RAILS	12" TO 27"
LINE SPEED (FPM)	30 TO 120 (INCREMENT OF 10)
ROLLERS	1 3/8" DIA X 18 GA GALVANIZED STEEL - 5/16" HEX AXLE
BEARINGS	PRECISION, OILED
SIDE CHANNELS	7 1/2" X 1 1/2" X 11 GA

FRONT



BACK

NOTE:  
 \* MAXIMUM OVERALL LENGTH OF A RUN USING A SINGLE DRIVE IS 1200"



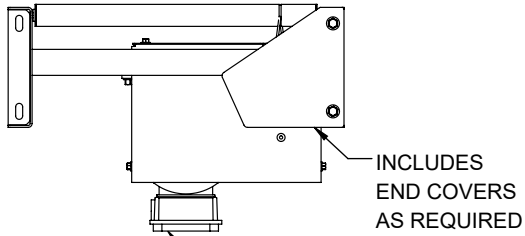
REV	0
-----	---

Model: LS - 1418HS Line Shaft Conveyor



# 1.0 DRIVE CONVEYOR

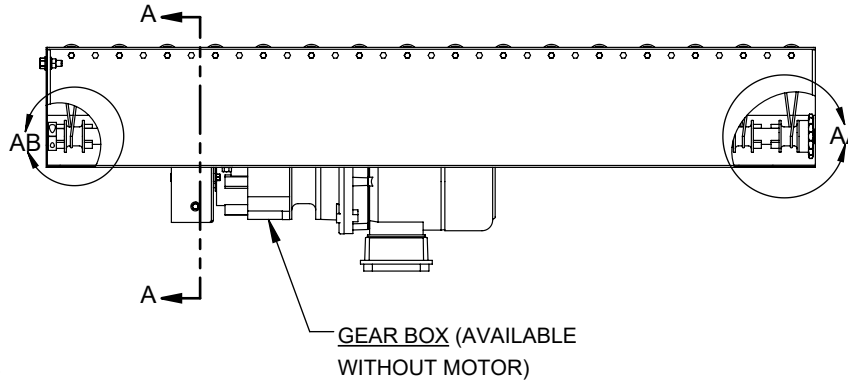
## FRONT SIDE



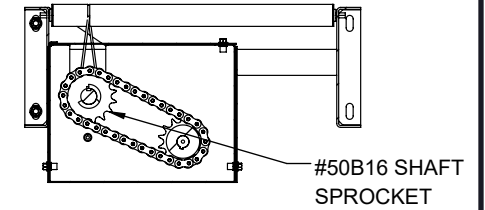
### MOTOR OPTIONS:

1. 575V / 3 PHASES / 60 HZ
2. 230 TO 460V / 3 PHASES / 60 HZ
3. 110V / 1 PHASE / 60 HZ

HORSE POWER OPTIONS: 1/2, 3/4 OR 1

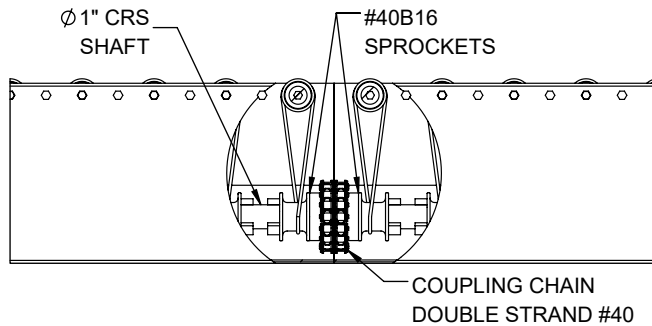


## BACK SIDE



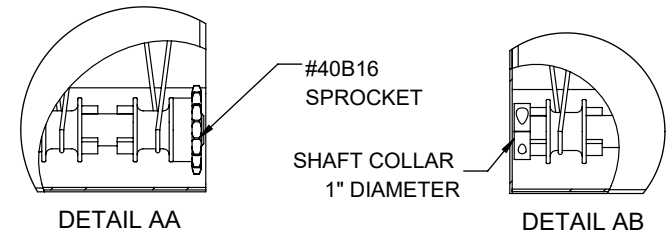
### SECTION A-A

# 2.0 DRIVE SHAFT



LINE SHAFT CONVEYOR COUPLING

# 2.1 END CONNECTIONS



CONFIGURATION	PARTS ON SHAFT ENDS
A	SPROCKETS ON BOTH SIDES
B	COLLAR ON FRONT SIDE & SPROCKET ON BACK SIDE
C	SPROCKET ON FRONT SIDE & COLLAR ON BACK SIDE
D	COLLARS ON BOTH SIDES

REV

0

Model: LS - 1418HS Line Shaft Conveyor Info

