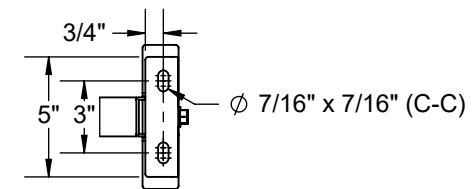
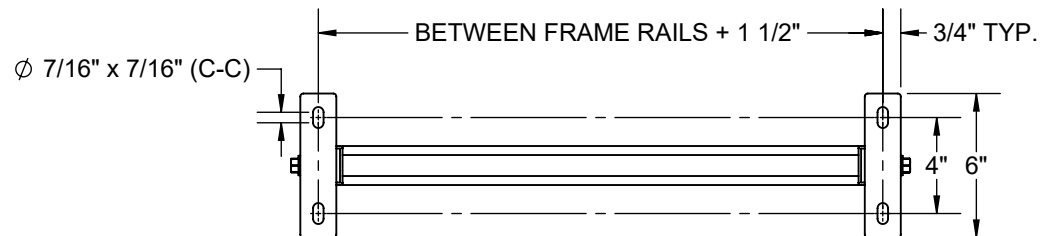
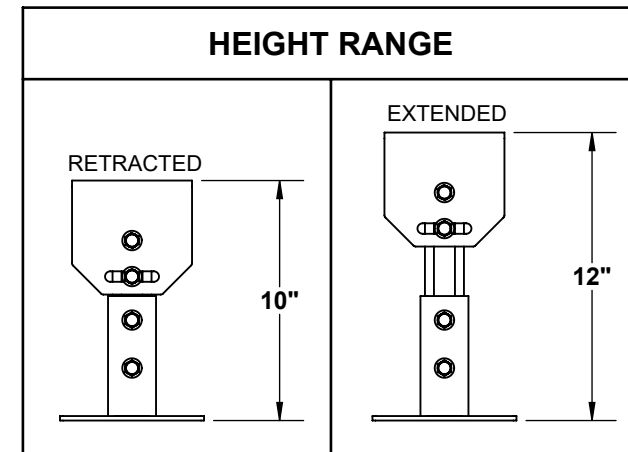
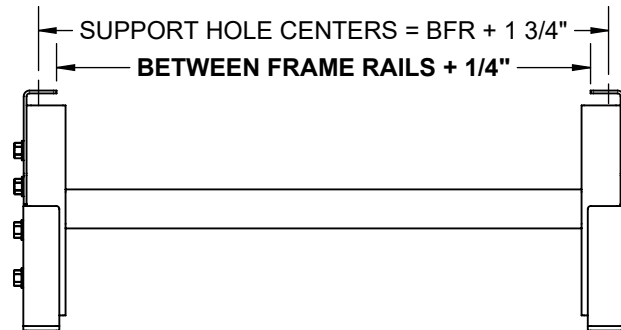
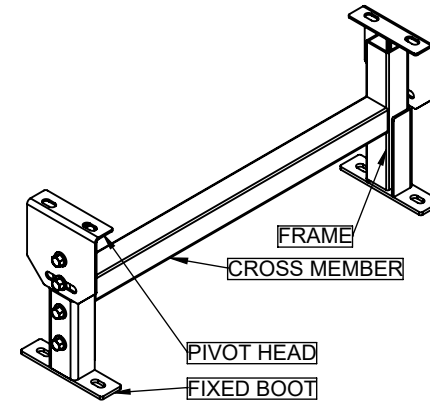


SPECIFICATIONS	
<b>HEIGHT RANGE</b>	10" TO 12"
<b>BETWEEN FRAME RAILS (BFR)</b>	1 1/2" TO 72"
<b>HEAD PLATE TYPE</b>	PIVOT
<b>BOOT PLATE TYPE</b>	FIXED, OPTIONAL CASTER MOUNTING
<b>MATERIAL</b>	PLAIN CARBON STEEL
<b>FINISH</b>	INDUSTRIAL ENAMEL
<b>CAPACITY</b>	1500 LBS.



PIVOT HEAD  
TOP VIEW

REV  
0

**Model: SR, 10-12 Regular Duty Support**

