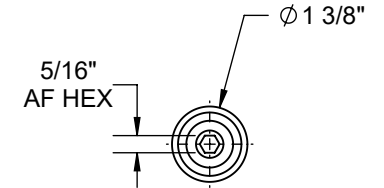
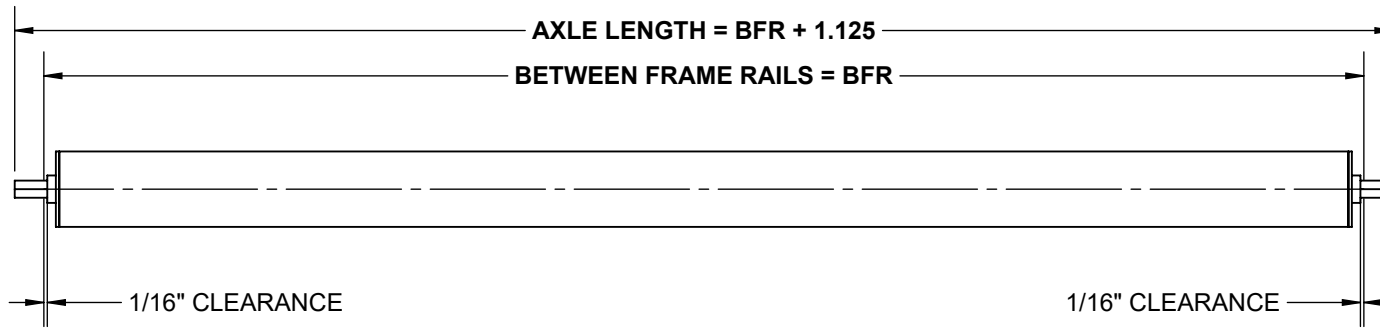
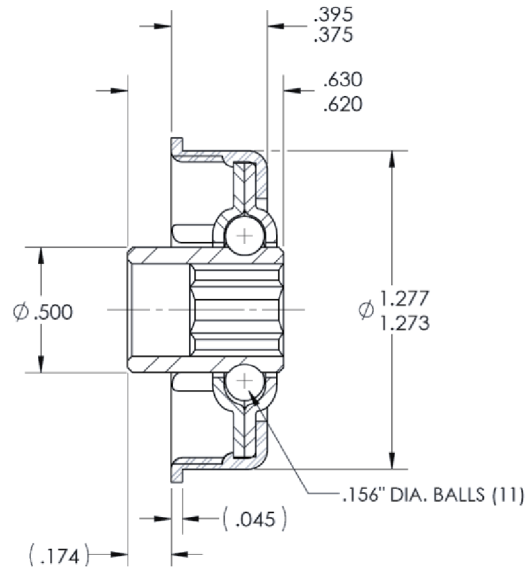


SPECIFICATIONS

BETWEEN FRAME RAILS	4" TO 27"
ROLL CONSTRUCTION	ROUND TUBE, 1 3/8" DIAMETER, 18 GAUGE
BEARING TYPE	NON-PRECISION, ZINC PLATED STEEL HOUSING, OILED, 5/16" HEX
AXLE RETENTION	STANDARD – SPRING LOADED ONE SIDE. OPTIONAL: COTTER PIN, FIXED PIN, LOOSE BOLT OR FIXED AXLE
ROLLER SURFACE	STANDARD GALVANIZED STEEL.



**BEARING CROSS SECTION
DETAILED VIEW**



RM-1276
LUBRICATION TYPE: OIL
LOAD RATING: 47 lbs.
TEMP. RATING: -10F to 400F

**STANDARD ROLLER
CAPACITY CHART**

BFR [IN]	LOAD CAPACITY [LBS.]
4 TO 27	85

REV

0

Model: 1418, 1 3/8" Dia. - 18 Ga. Roller

