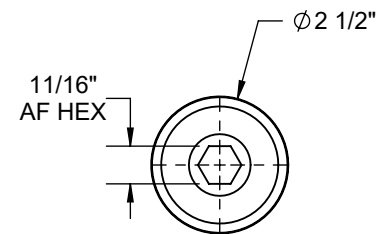
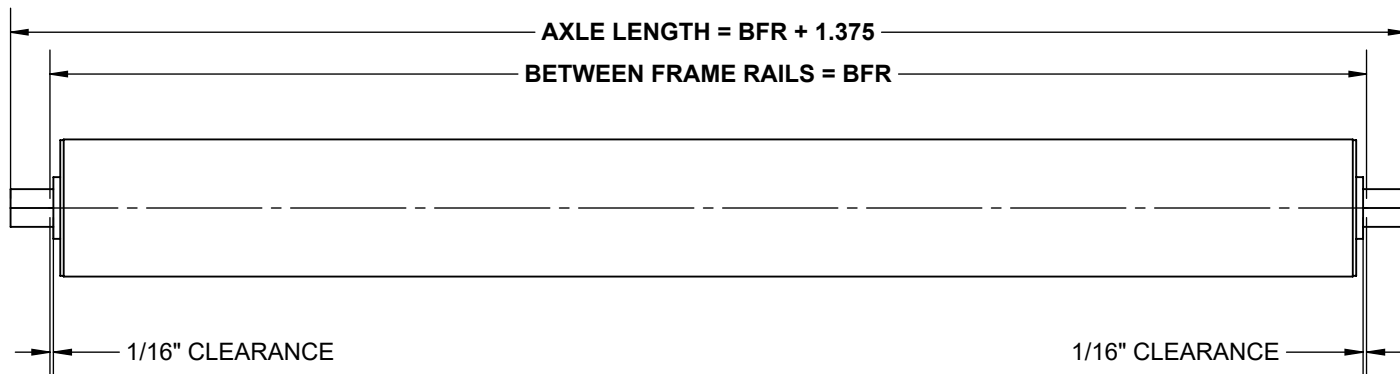
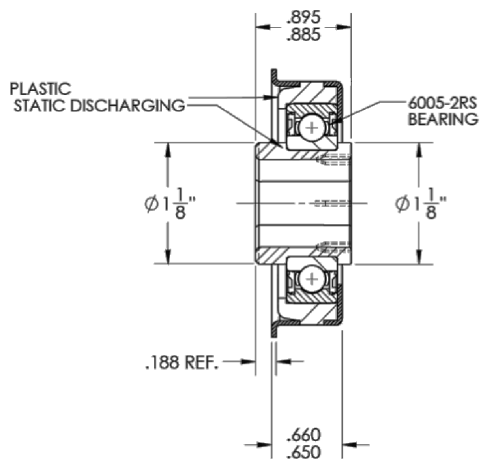


SPECIFICATIONS

BETWEEN FRAME RAILS	8" TO 72"
ROLL CONSTRUCTION	ROUND TUBE, 2 1/2" DIAMETER, 11 GAUGE
BEARING TYPE	PRECISION, ZINC PLATED STEEL HOUSING, GREASED, 11/16" HEX
AXLE RETENTION	STANDARD - SPRING LOADED ONE SIDE. OPTIONAL: COTTER PIN, FIXED BOLT, LOOSE BOLT OR FIXED AXLE
ROLLER SURFACE	STANDARD CARBON STEEL



**BEARING CROSS SECTION
DETAILED VIEW**



RM-5100
 LUBRICATION TYPE: GREASE
 LOAD RATING: 1000 lbs.
 TEMP. RATING: -4F to 180F
 NOISE LEVEL: QUIET
 STATIC DISCHARGE: YES, DIRECT INJECTION MOLDED
 PROTECTION: RUBBER SHIELD, FRONT & BACK

**STANDARD ROLLER
CAPACITY CHART**

BFR [IN]	LOAD CAPACITY [LBS.]
8	1000
12	
15	
18	
21	
24	
27	
30	
33	
36	
39	853
42	790
45	735
48	688
51	646
54	609
57	577
60	547
63	520
66	496
69	474
72	454

REV

0

Model: 2511, 2 1/2" Dia. - 11 Ga. Roller

