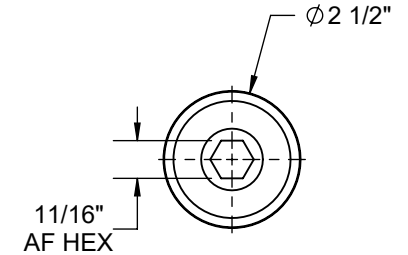
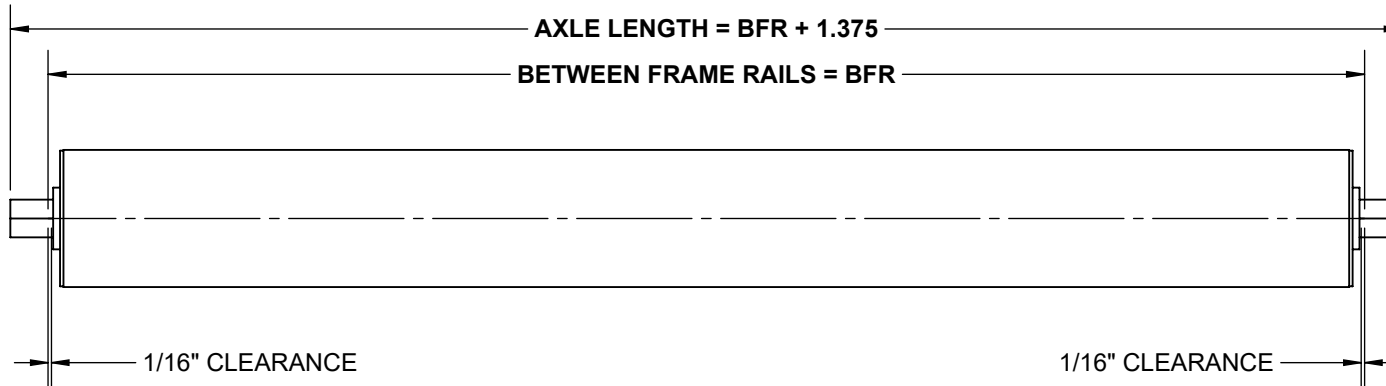
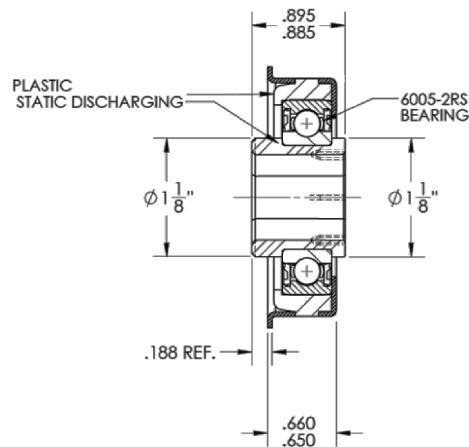


SPECIFICATIONS

BETWEEN FRAME RAILS	8" TO 54"
ROLL CONSTRUCTION	ROUND TUBE, 2 1/2" DIAMETER, 14 GAUGE
BEARING TYPE	PRECISION, ZINC PLATED STEEL HOUSING, GREASED, 11/16" HEX
AXLE RETENTION	STANDARD - SPRING LOADED ONE SIDE. OPTIONAL: COTTER PIN, FIXED BOLT, LOOSE BOLT OR FIXED AXLE
ROLLER SURFACE	STANDARD GALVANIZED STEEL



**BEARING CROSS SECTION
DETAILED VIEW**



RM-5100
 LUBRICATION TYPE: GREASE
 LOAD RATING: 1000 lbs.
 TEMP. RATING: -4F to 180F
 NOISE LEVEL: QUIET
 STATIC DISCHARGE: YES, DIRECT INJECTION MOLDED
 PROTECTION: RUBBER SHIELD, FRONT & BACK

**STANDARD ROLLER
CAPACITY CHART**

BFR [IN]	LOAD CAPACITY [LBS.]
8	1000
12	
15	
18	
21	
24	
27	
30	
33	
36	
39	853
42	790
45	735
48	688
51	646
54	609

REV

0

Model: 2514HS, 2 1/2" Dia. - 14 Ga. Roller

