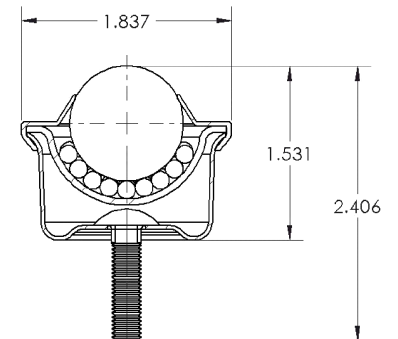
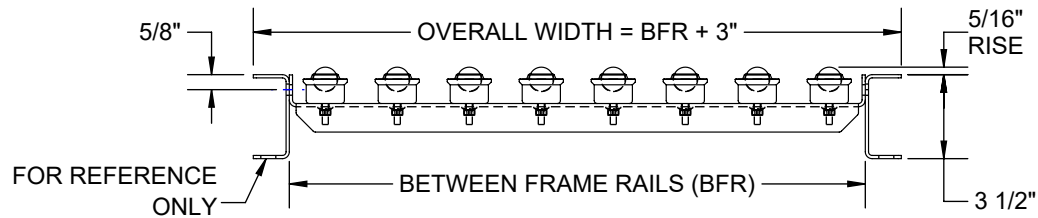
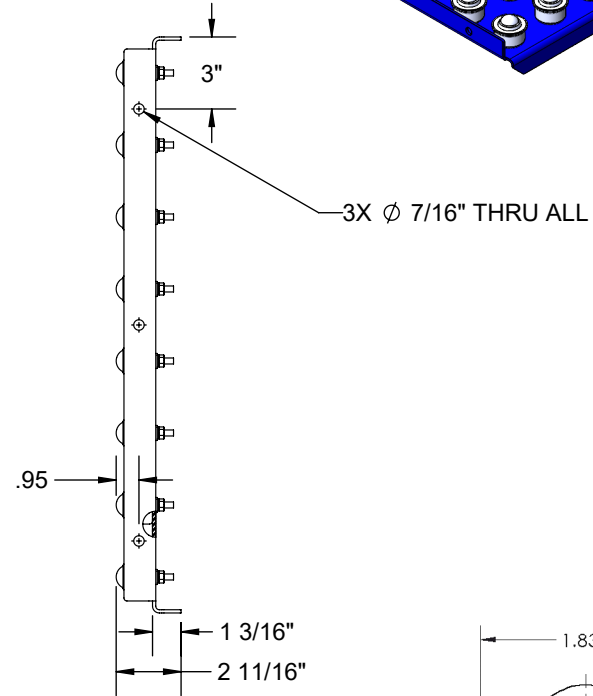
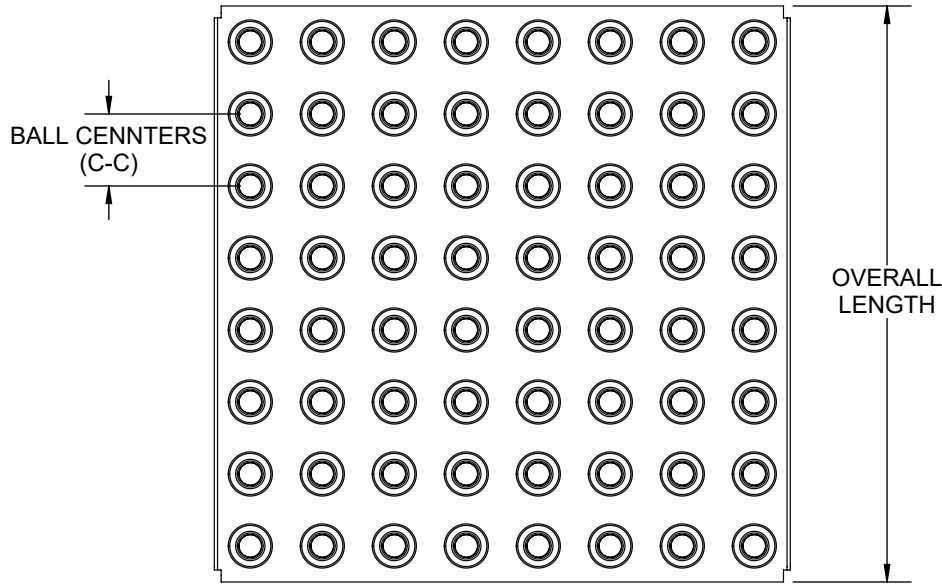
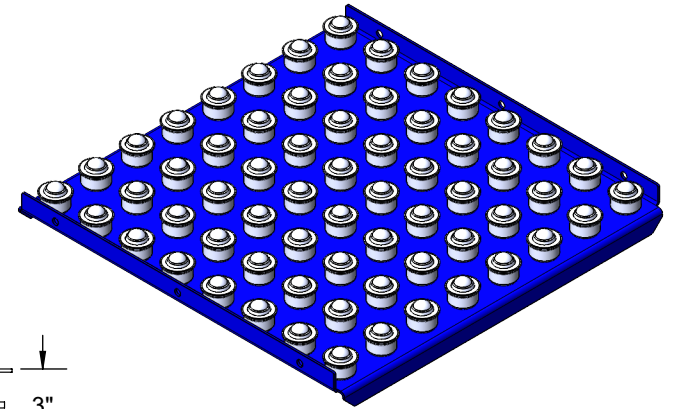


SPECIFICATIONS	
OVERALL LENGTH	12" TO 36"
OVERALL WIDTH	9" TO 51"
BETWEEN FRAME RAILS	6" TO 48"
BALL CENTERS	2", 3", 4", 6"
BALL PATTERN	STRAIGHT - STAGGERED IS AN OPTION
BALL TRANSFER	1" DIA CARBON STEEL 1/4" - 20 BOLT
FRAME MATERIAL	PLAIN STEEL
FINISH	INDUSTRIAL ENAMEL



** DESIGNED TO DROP IN 3.5" TALL CHANNELS WITH HEX HOLE 5/8" DOWN

RM-1000
 LUBRICATION TYPE: OIL
 LOAD RATING: 150 LBS.
 TEMP. RATING: UP TO 400F