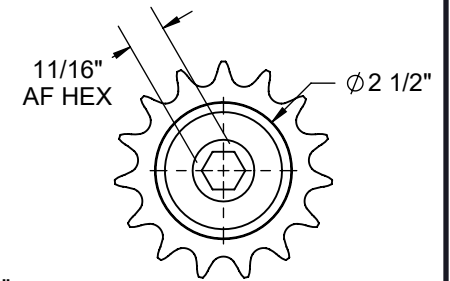
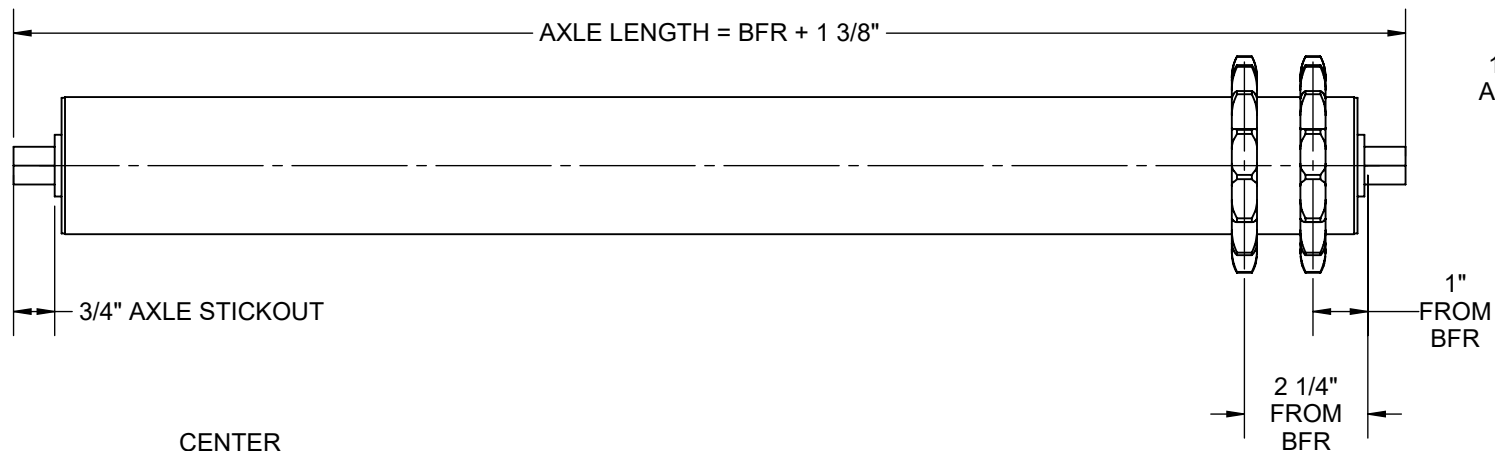


**SPECIFICATIONS**

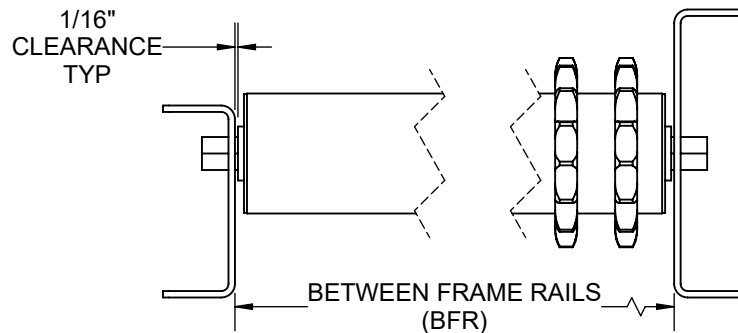
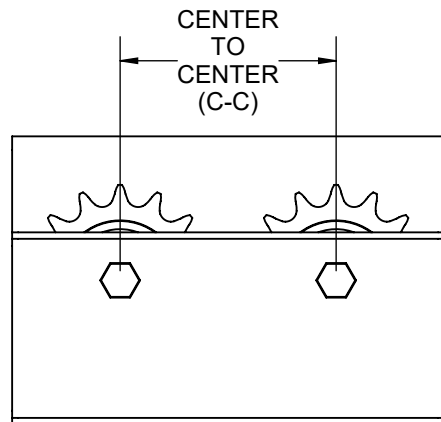
<b>BETWEEN FRAME RAILS</b>	8" TO 72"
<b>ROLL CONSTRUCTION</b>	ROUND TUBE, 2 1/2" DIAMETER, 11 GAUGE
<b>BEARING TYPE</b>	PRECISION, ZINC PLATED STEEL HOUSING, GREASED, 11/16" HEX
<b>AXLE RETENTION</b>	STANDARD - SPRING LOADED ONE SIDE. OPTIONAL: COTTER PIN OR FIXED AXLE
<b>ROLLER SURFACE</b>	STANDARD CARBON STEEL
<b>STANDARD SPROCKETS</b>	60A15
<b>MINIMUM C-C</b>	4 1/2"

AVAILABLE OPTIONAL FEATURES:

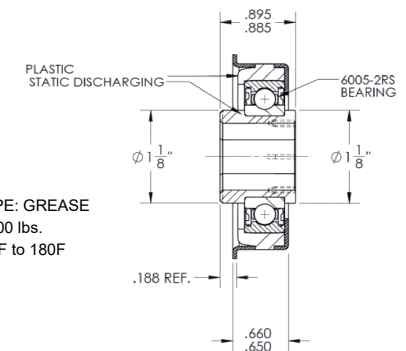
1. CUSTOM AXLE EXTENSION FROM BFR
2. CUSTOM SPROCKETS SPACING
3. NON STANDARD SPROCKETS



**BEARING CROSS SECTION DETAILED VIEW**



RM-5100  
LUBRICATION TYPE: GREASE  
LOAD RATING: 1000 lbs.  
TEMP. RATING: -4F to 180F



REV

0

**Model: CR2511 - 60A15X2.5**

