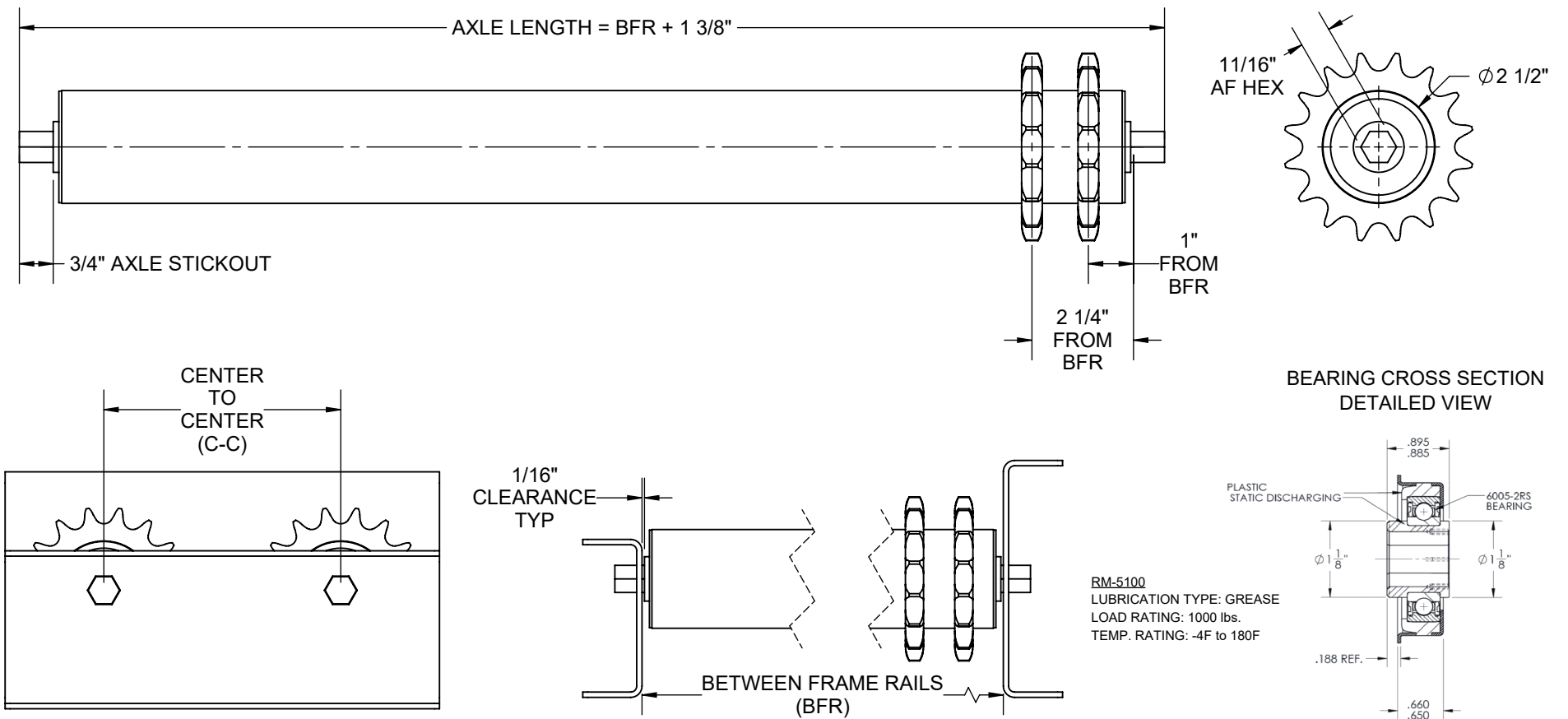


**SPECIFICATIONS**

<b>BETWEEN FRAME RAILS</b>	8" TO 72"
<b>ROLL CONSTRUCTION</b>	ROUND TUBE, 2 1/2" DIAMETER, 11 GAUGE
<b>BEARING TYPE</b>	PRECISION, ZINC PLATED STEEL HOUSING, GREASED, 11/16" HEX
<b>AXLE RETENTION</b>	STANDARD - SPRING LOADED ONE SIDE. OPTIONAL: COTTER PIN OR FIXED AXLE
<b>ROLLER SURFACE</b>	STANDARD CARBON STEEL
<b>STANDARD SPROCKETS</b>	60A16
<b>MINIMUM C-C</b>	6"

AVAILABLE OPTIONAL FEATURES:

1. CUSTOM AXLE EXTENSION FROM BFR
2. CUSTOM SPROCKETS SPACING
3. NON STANDARD SPROCKETS



REV

0

**Model: CR2511 - 60A16X2.5**

