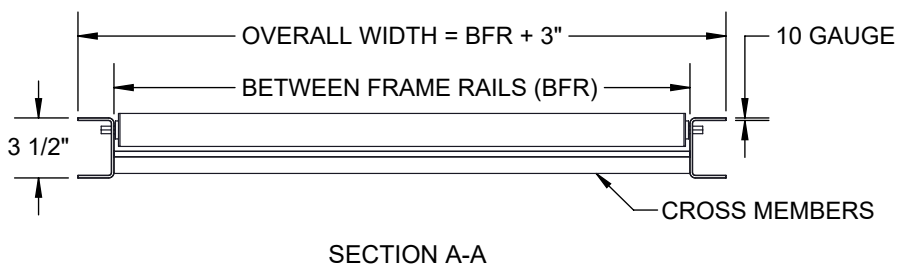
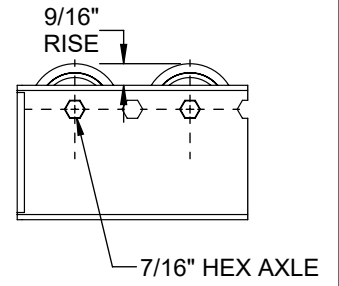
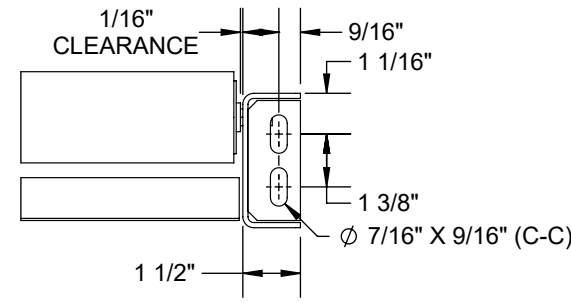
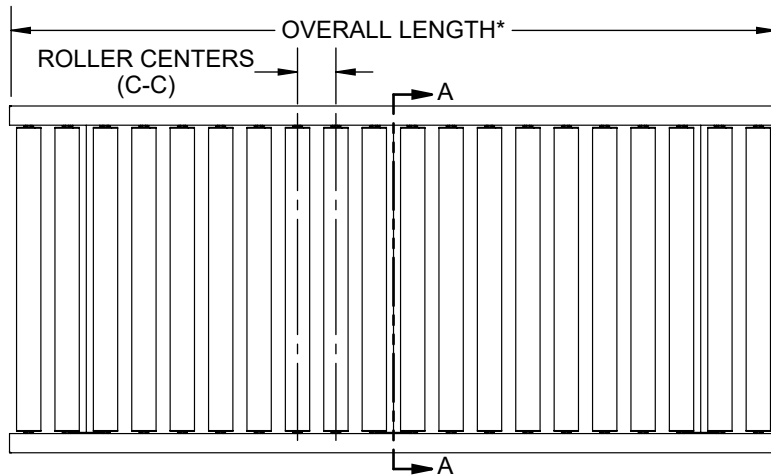
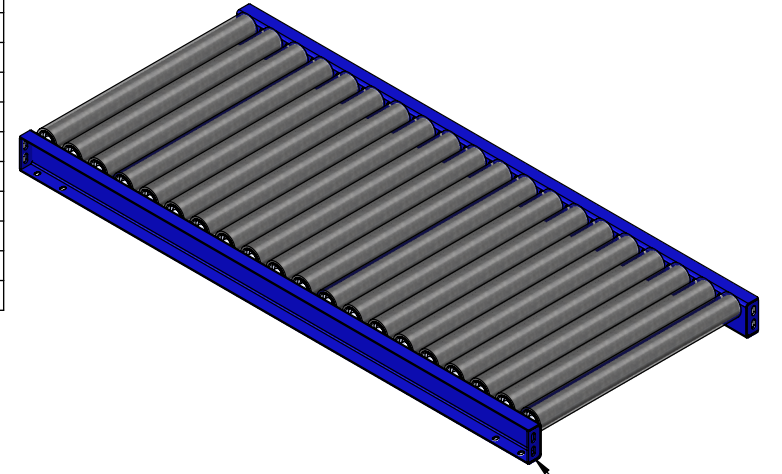


SPECIFICATIONS	
OVERALL LENGTH	12" TO 120"
OVERALL WIDTH	9" TO 51"
ROLLER CENTERS BETWEEN FRAME RAILS	3", 4", 4 1/2", 6", 9", 12" 6" TO 48"
ROLLERS	1.9" DIA X 16 GA GALVANIZED STEEL (PVC SLEEVE) - 7/16" HEX AXLE
BEARINGS	SEMI-PRECISION, OILED
SIDE CHANNELS	3 1/2" X 1 1/2" X 10 GA
CROSS MEMBERS	1 1/2" X 1 1/2" X 3/16"
FRAME MATERIAL	PLAIN STEEL
FINISH	INDUSTRIAL ENAMEL



NOTE:
 *OVERALL LENGTH MUST BE DIVISIBLE BY SELECTED C-C.(NOT APPLICABLE FOR 4 1/2" C-C)

FOR 4 1/2" C-C, THE OVERALL LENGTH SUBTRACTED BY 3" MUST BE DIVISIBLE BY 4 1/2".

REV	0	Model: GR – 1916P Gravity Roller Conveyor
-----	---	--

