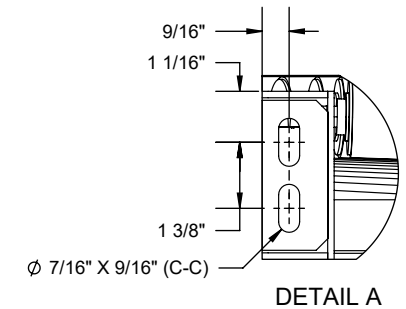
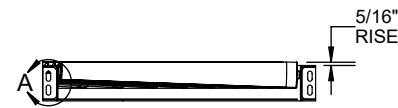
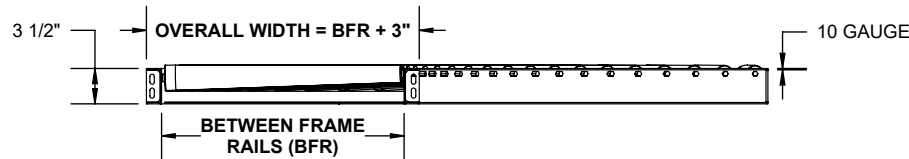
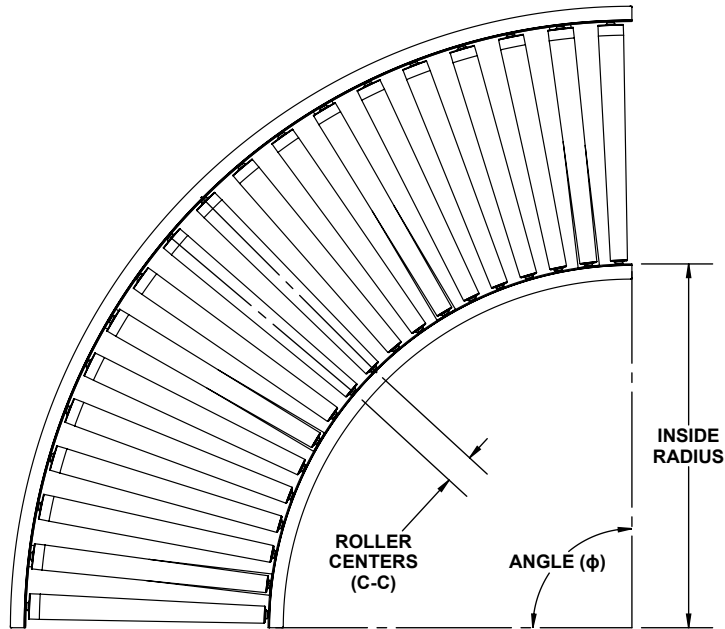
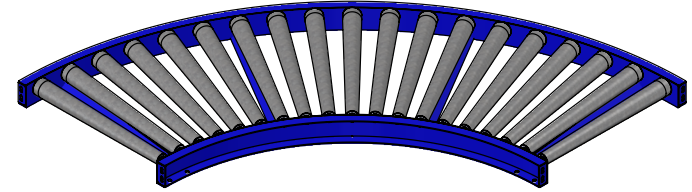


SPECIFICATIONS				
ANGLE ( $\phi$ )	90°	60°	45°	30°
OVERALL WIDTH	18", 21", 24", 27", 30", 39"			
INSIDE RADIUS	36"			
ROLLER CENTERS	2", 3", 4", 4 1/2", 6", 9", 12"			
BETWEEN FRAME RAILS	15", 18", 21", 24", 27", 36"			
ROLLERS	1.69" TO 2 1/2" DIA X 16 GA GALVANIZED STEEL - 7/16" HEX AXLE			
BEARINGS	NON-PRECISION, GREASED			
SIDE CHANNELS	3 1/2" X 1 1/2" X 10 GA			
CROSS MEMBERS	1 1/2" X 1 1/2" X 3/16"			
FRAME MATERIAL	PLAIN STEEL			
FINISH	INDUSTRIAL ENAMEL			

NOTE: TAPERED ROLLER IS USED TO MAINTAIN TRANSFERRED PACKAGE ORIENTATION.



REV

0

Model: GRC - T16925 Gravity Roller Curve Conveyor

**RoImaster**  
CONVEYORS SINCE 1946