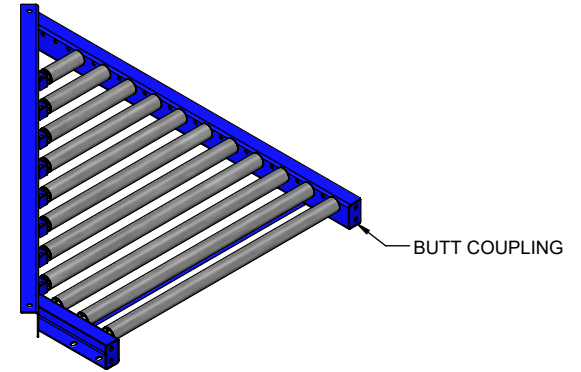
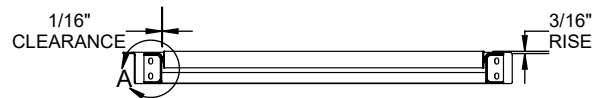
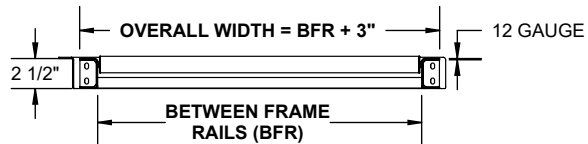
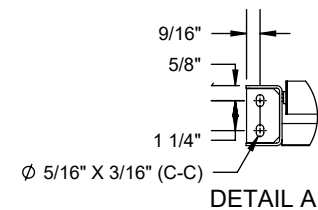
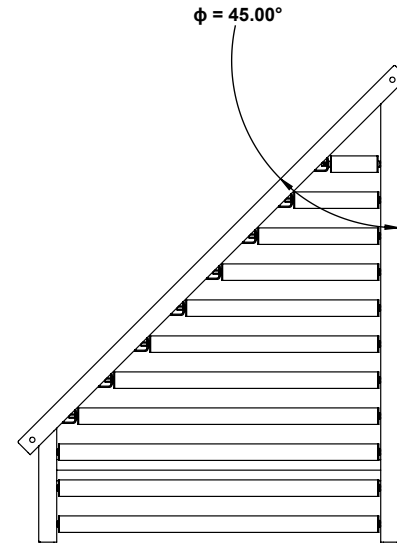
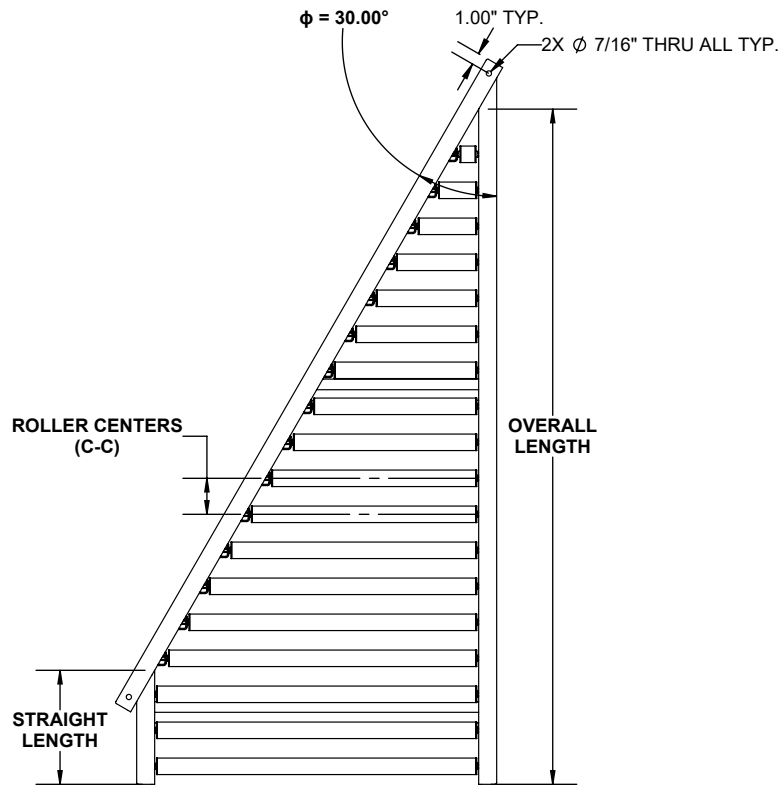


SPECIFICATIONS		
ANGLE (ϕ)	45°	30°
OVERALL WIDTH	10.5" TO 30"	7.5" TO 30"
STRAIGHT LENGTH	9.5" MIN. WITH 3" ACCUM.*	
ROLLER CENTERS	3"	
BETWEEN FRAME RAILS	7.5" TO 27"	4.5" TO 27"
ORIENTATION	RIGHT OR LEFT HAND	
ROLLERS	1 3/8" DIA X 18 GA GALVANIZED STEEL - 5/16" HEX AXLE	
BEARINGS	NON-PRECISION, OILED	
SIDE CHANNELS	2 1/2" X 1 1/2" X 12 GA	
CROSS MEMBERS	1 1/4" X 1 1/4" X 1/8"	
FRAME MATERIAL	STEEL	

NOTE: *MAXIMUM STRAIGHT LENGTH IS BASED ON SELECTED BFR.



RIGHT-HAND MERGE GRAVITY CONVEYOR



REV

0

Model: GRM - 1418 Gravity Roller Merge Conveyor

