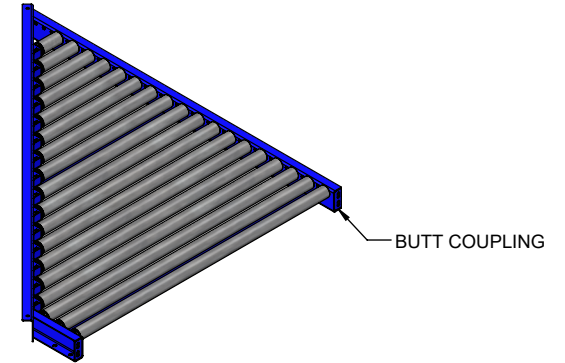
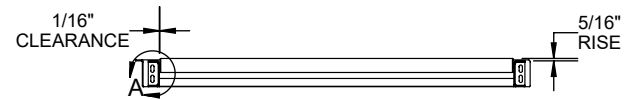
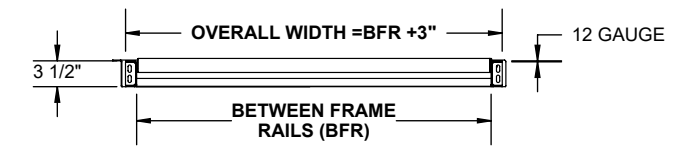
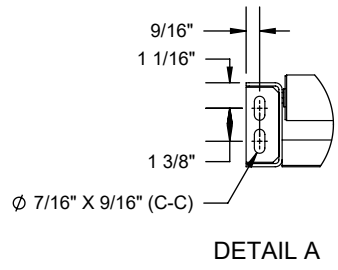
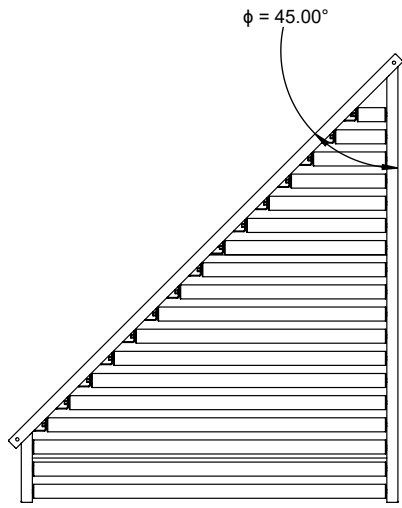
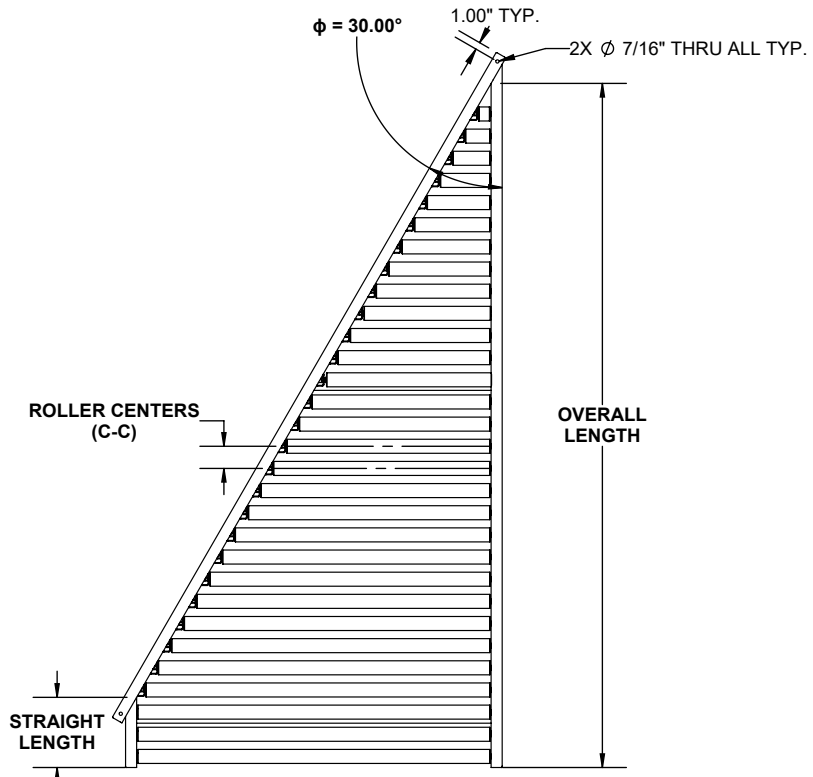


SPECIFICATIONS		
ANGLE (ϕ)	45°	30°
OVERALL WIDTH	10.5" TO 51"	7.5" TO 51"
STRAIGHT LENGTH	9.5" MIN. WITH 3" ACCUM.*	
ROLLER CENTERS	3"	
BETWEEN FRAME RAILS	7.5" TO 48"	4.5" TO 48"
ORIENTATION	RIGHT OR LEFT HAND	
ROLLERS	1.9" DIA X 16 GA GALVANIZED STEEL - 7/16" HEX AXLE	
BEARINGS	SEMI-PRECISION, OILED	
SIDE CHANNELS	3 1/2" X 1 1/2" X 10 GA	
CROSS MEMBERS	1 1/2" X 1 1/2" X 3/16"	
FRAME MATERIAL	STEEL	

NOTE: *MAXIMUM STRAIGHT LENGTH IS BASED ON SELECTED BFR.



RIGHT-HAND MERGE GRAVITY CONVEYOR



REV	0	Model: GRM - 1916 Gravity Roller Merge Conveyor
-----	---	--

