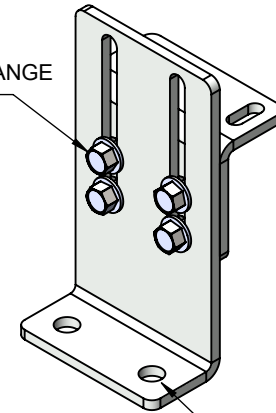
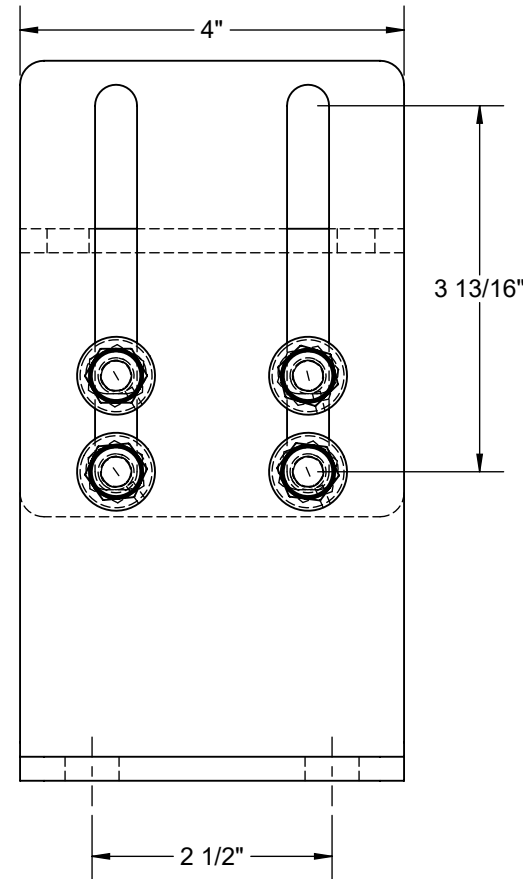
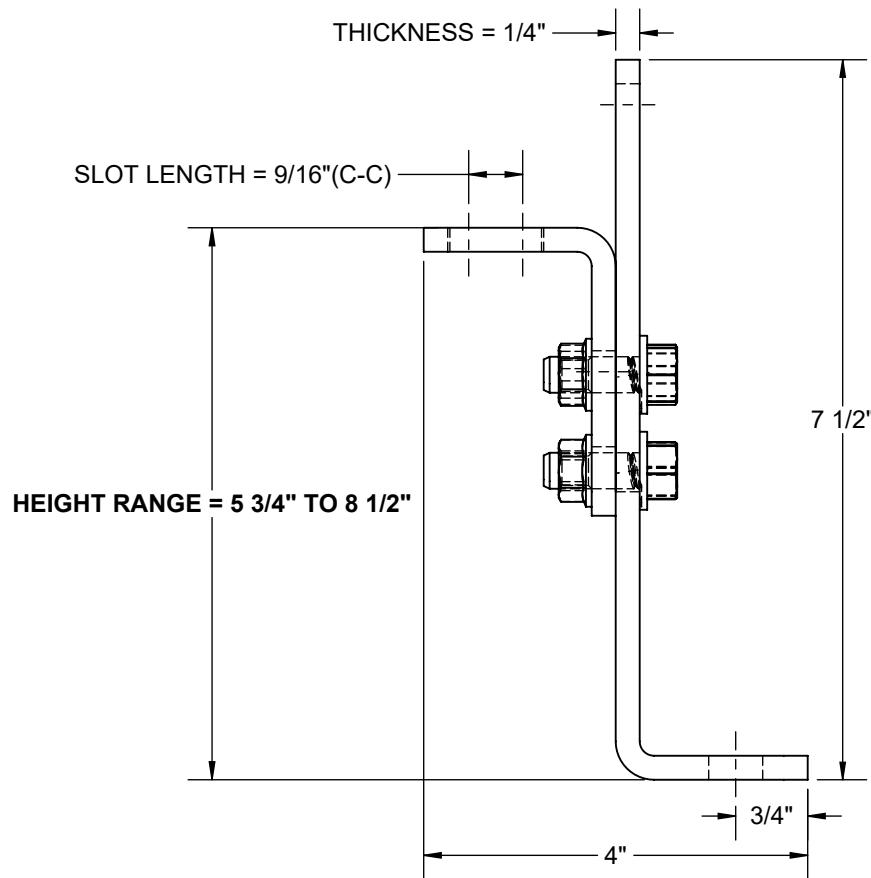


SPECIFICATIONS	
HEIGHT RANGE	5 3/4" TO 8 1/2"
MATERIAL	PLAIN CARBON STEEL
THICKNESS	1/4" PLATE
FINISH	CLEAR ZINC
CAPACITY	1500 LBS.

4 x (3/8" SERRATED HEX FLANGE BOLT WITH FLANGE NUT)



2X Ø 9/16" THRU



REV

0

Model: SC, 5 3/4" – 8 1/2" Compact Support

