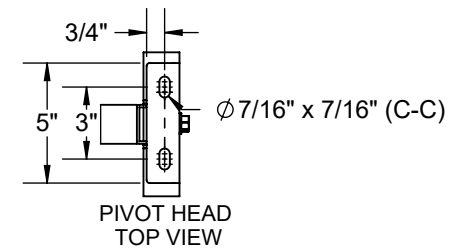
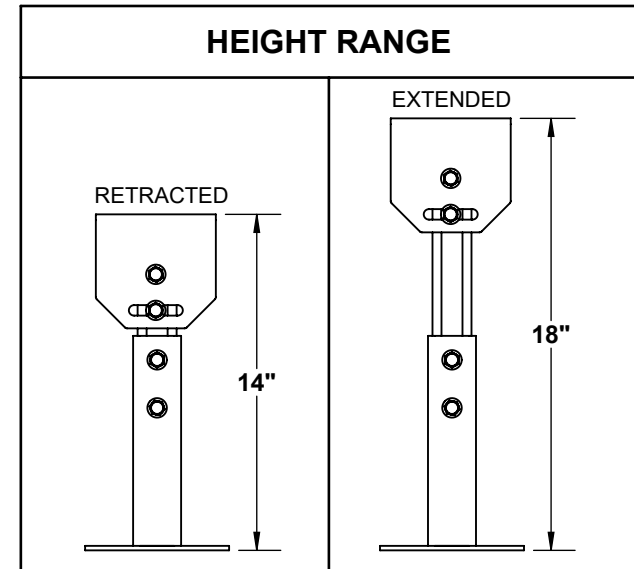
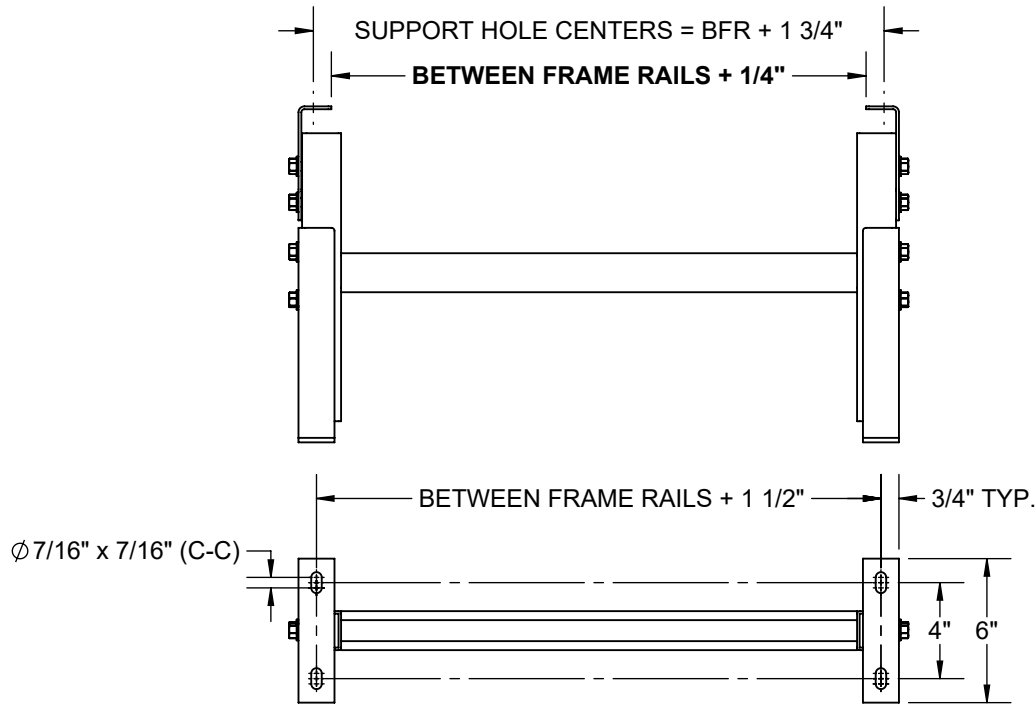
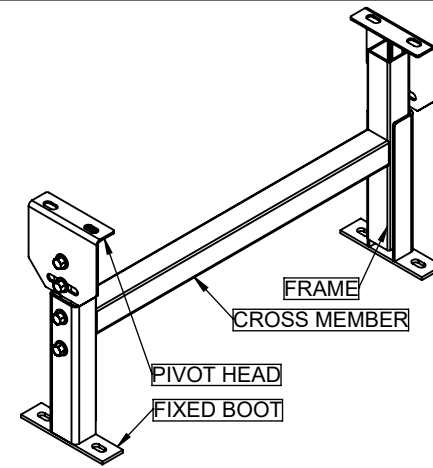


SPECIFICATIONS	
HEIGHT RANGE	14" TO 18"
BETWEEN FRAME RAILS (BFR)	1 1/2" TO 72"
HEAD PLATE TYPE	PIVOT
BOOT PLATE TYPE	FIXED, OPTIONAL CASTER MOUNTING
MATERIAL	PLAIN CARBON STEEL
FINISH	INDUSTRIAL ENAMEL
CAPACITY	1500 LBS.



REV	0	<b>Model: SR, 14-18 Regular Duty Support</b>
-----	---	--

