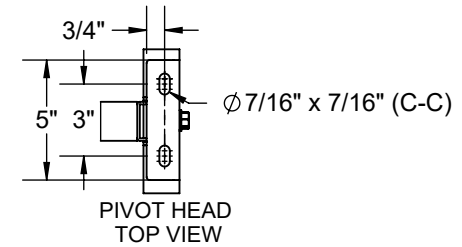
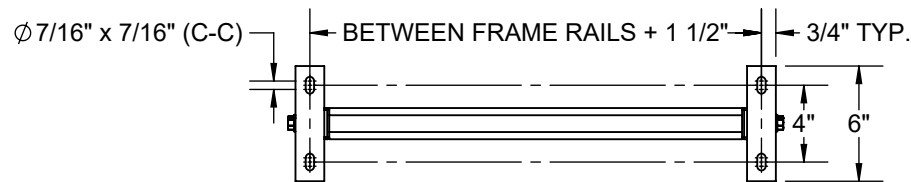
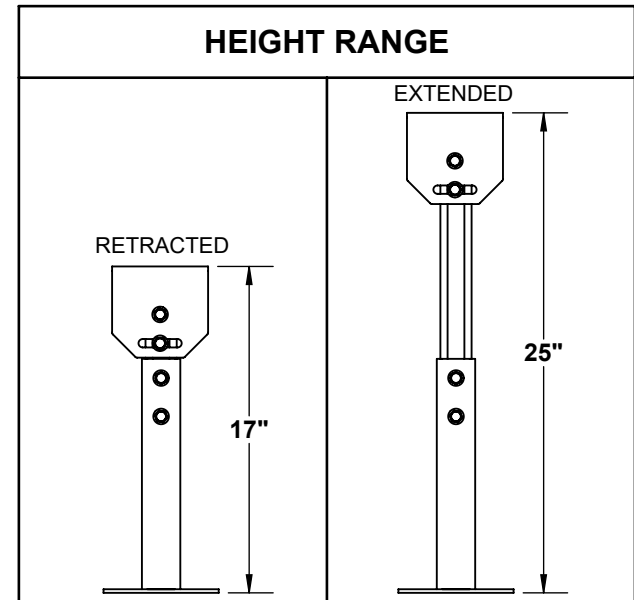
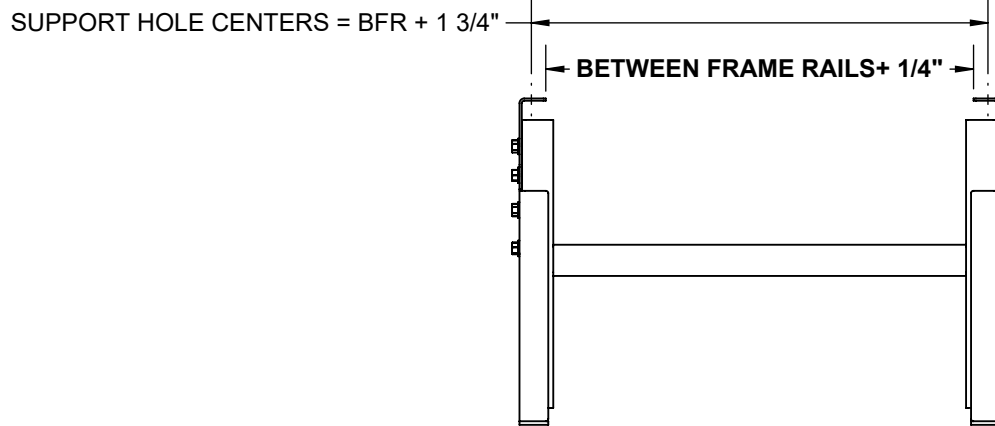
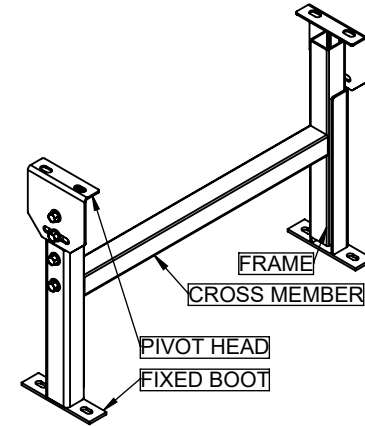


SPECIFICATIONS	
HEIGHT RANGE	17" TO 25"
BETWEEN FRAME RAILS (BFR)	1 1/2" TO 72"
HEAD PLATE TYPE	PIVOT
BOOT PLATE TYPE	FIXED, OPTIONAL CASTER MOUNTING
MATERIAL	PLAIN CARBON STEEL
FINISH	INDUSTRIAL ENAMEL
CAPACITY	1500 LBS.



REV

0

**Model: SR, 17-25 Regular Duty Support**

