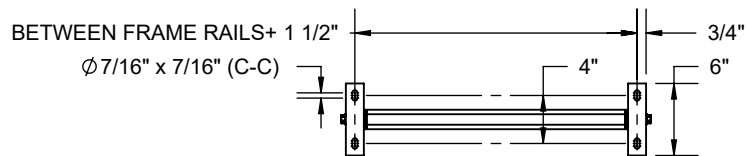
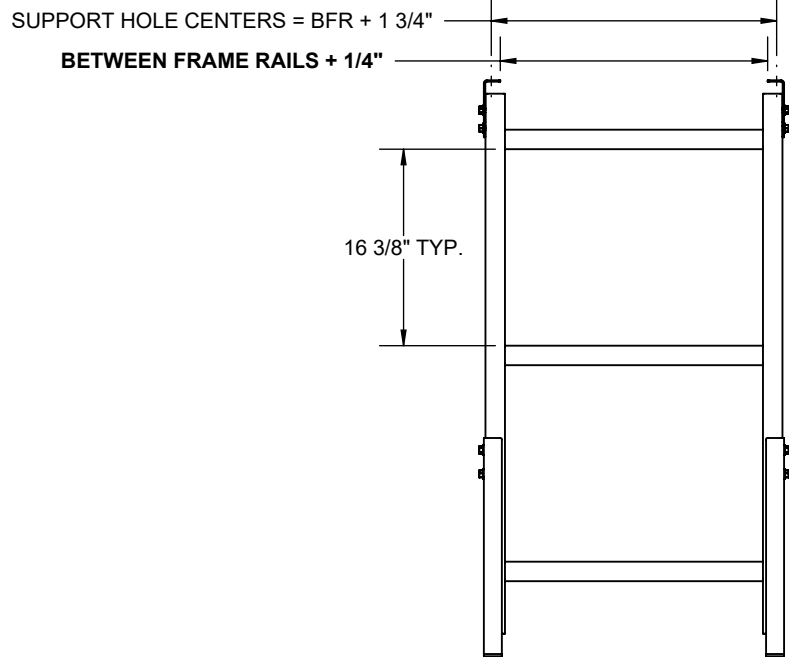
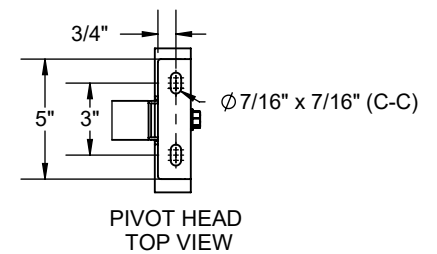
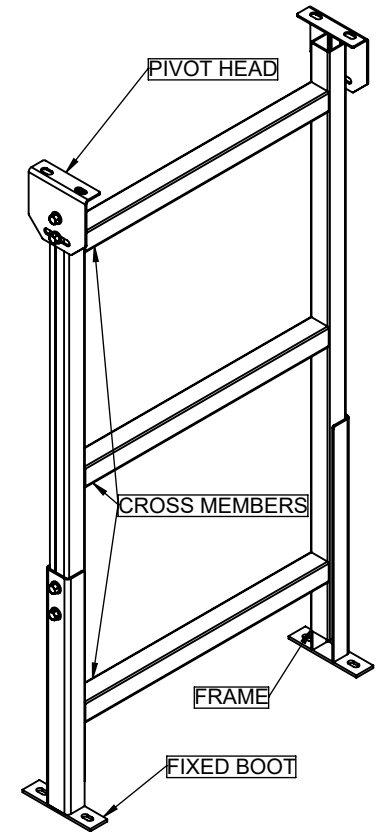
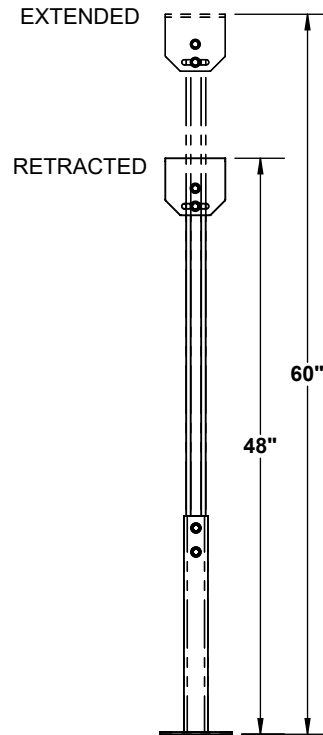


SPECIFICATIONS	
<b>HEIGHT RANGE</b>	48" TO 60"
<b>BETWEEN FRAME RAILS (BFR)</b>	1 1/2" TO 72"
<b>HEAD PLATE TYPE</b>	PIVOT
<b>BOOT PLATE TYPE</b>	FIXED, OPTIONAL CASTER MOUNTING
<b>MATERIAL</b>	PLAIN CARBON STEEL
<b>FINISH</b>	INDUSTRIAL ENAMEL
<b>CAPACITY</b>	1500 LBS.



### HEIGHT RANGE



REV	0	<b>Model: SR, 48-60 Regular Duty Support</b>
-----	---	--

