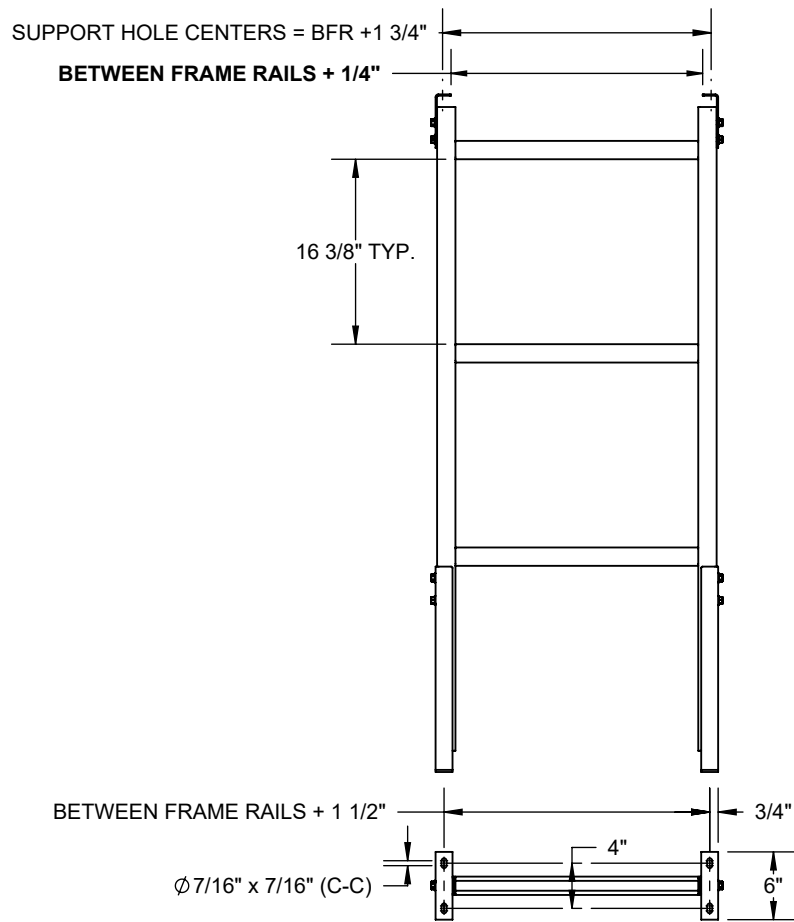
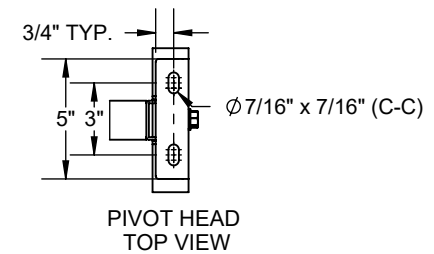
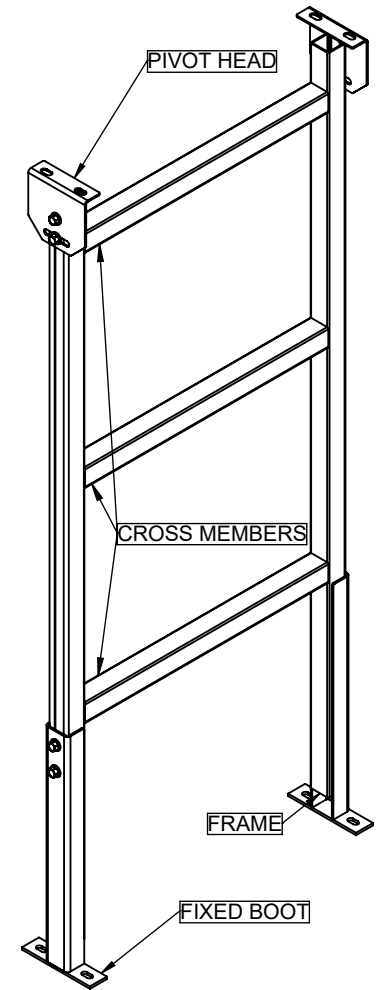
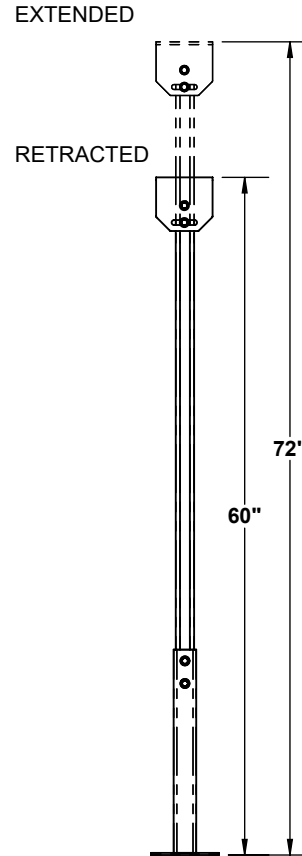


SPECIFICATIONS	
HEIGHT RANGE	60" TO 72"
BETWEEN FRAME RAILS (BFR)	1 1/2" TO 72"
HEAD PLATE TYPE	PIVOT
BOOT PLATE TYPE	FIXED, OPTIONAL CASTER MOUNTING
MATERIAL	PLAIN CARBON STEEL
FINISH	INDUSTRIAL ENAMEL
CAPACITY	1500 LBS.



HEIGHT RANGE



REV

0

Model: SR, 60-72 Regular Duty Support

